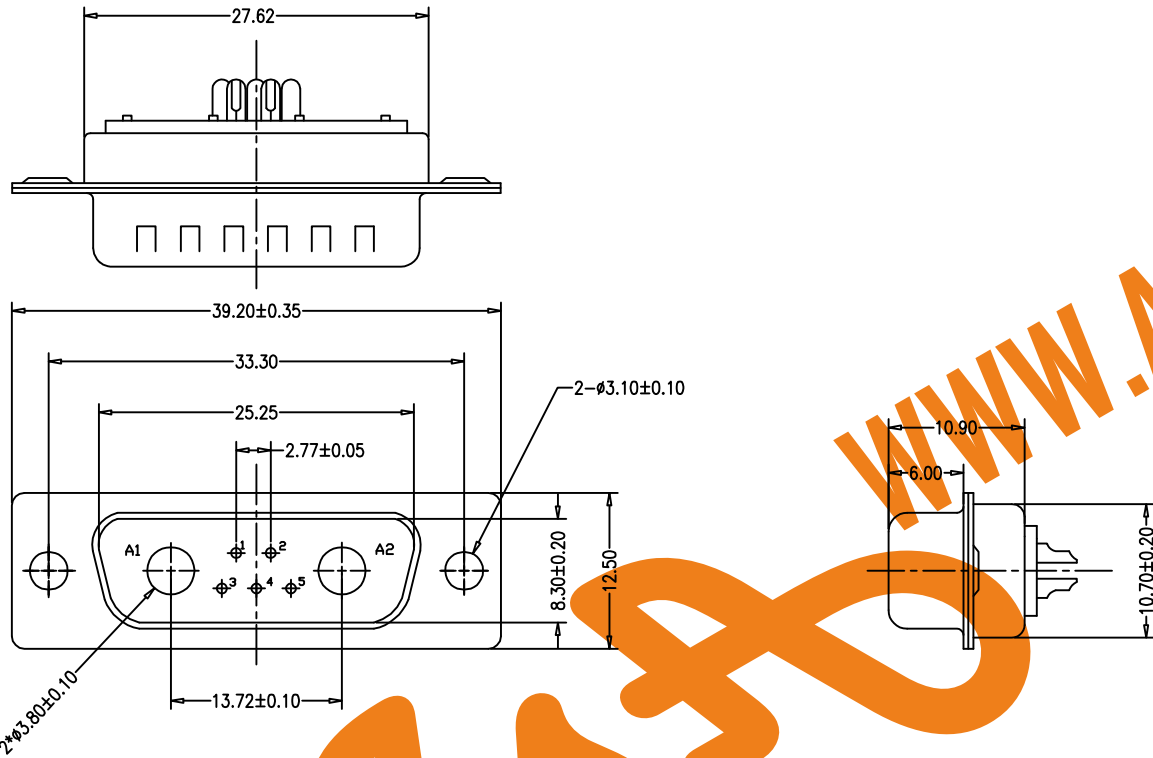


# Coaxial D-SUB 7W2 MALE Solder Cup

**ROHS COMPLIANT**



## ELECTRICAL CHARACTERISTICS:

Dielectric withstanding Voltage: AC 1000V r.m.s.  
 Insulation Resistance: 500 Megohms Minimum at DC 500V  
 Contact Resistance: 25 Milliohms  
 Operating Temperature: -20°C~+85°C

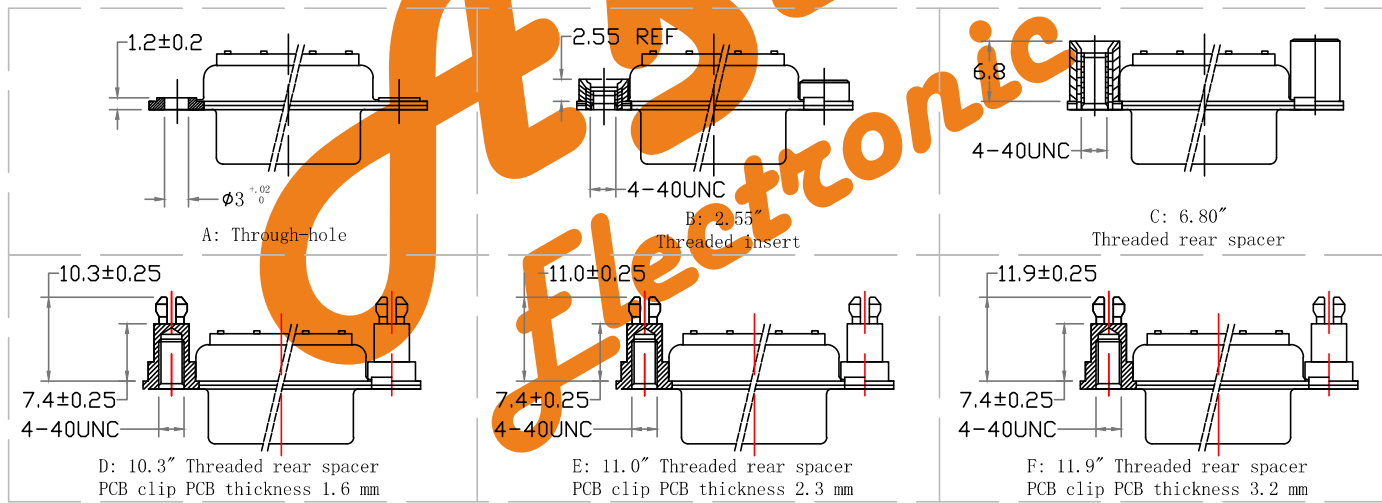
## MATERIALS:


Insulator: PBT, UL 94V-0 Rated  
 Shell: Cold Roller Steel

## Ordering Code:

PDC7W2    -M    -G0    -B    -X    -00  
 ①        ②        ③        ④        ⑤        ⑥

- ① Series
- ② Contact Type:  
M:Male F:Female
- ③ Contact NO. :  
G0: Gold flash G1: 3u" Gold  
G2: 5u" Gold G3: 10u" Gold  
G4: 15u" Gold G5: 30u" Gold
- ④ Insulation Color Code:  
B:Black L:Blue  
W:White
- ⑤ Mounting Option:  
A: Through-hole  
B: 2.55" Threaded insert  
C: 6.80" Threaded rear spacer  
D: 10.3" Threaded rear spacer  
E: 11.0" Threaded rear spacer  
F: 11.9" Threaded rear spacer  
PCB clip
- ⑥ Series



|   |          |  |
|---|----------|--|
| Unless Otherwise specified tolerance              |          |  <b>WWW.AsA-Elec.com</b><br><b>AsA Electronic Co.</b><br>Tel : (+98) 21 66 73 56 82 Mob : (+98) 912 03 161 02 |
| X.±0.35<br>X.X:±0.25<br>X.XX:±0.20<br>X.XXX:±0.15 |          |  |
| SCALE: 1:1  | UNIT: mm | TITLE:<br>Coaxial D-SUB 7W2 MALE Solder Cup  |
| DRAWN: junfon H                                   |          | DRAWING NO: PDC7W2-MXXXX00   |
| CHECKED: YANG                                     |          | PRODUCT NO: PDC7W2-MXXXX00   |

|     |                       |         |
|-----|-----------------------|---------|
| REV | Add option of plating | 12/7/17 |
| 1   | DESCRIPTION           | DATE    |

